

# PRESENTATION TO THE PALM BEACH COUNTY MPO

MAY 15, 2014

*SR-5 /US-1 Jupiter Federal Highway Bridge*

*FM No. 428400-1-52-01*

# SR-5 /US-1 Jupiter Federal Highway Bridge

FM No. 428400-1-52-01



- *Rehabilitate Movable Span And Control House*
- *Provide Underpass For Jupiter Riverwalk (JPA)*
- *Provide Sidewalks and Bike Lanes From CR A1A To Beach Road*
- *Provide Traffic Barrier Between Vehicles And Pedestrians*

## PROJECT OVERVIEW

# SR-5 /US-1 Jupiter Federal Highway Bridge

FM No. 428400-1-52-01



- *No Sidewalks or Bike Lanes*
- *No Barrier Between Vehicles And Pedestrians*
- *Post And Beam Rail Is Not Crash-Tested*

## EXISTING BRIDGE TYPICAL SECTION



## SR-5 /US-1 Jupiter Federal Highway Bridge

FM No. 428400-1-52-01

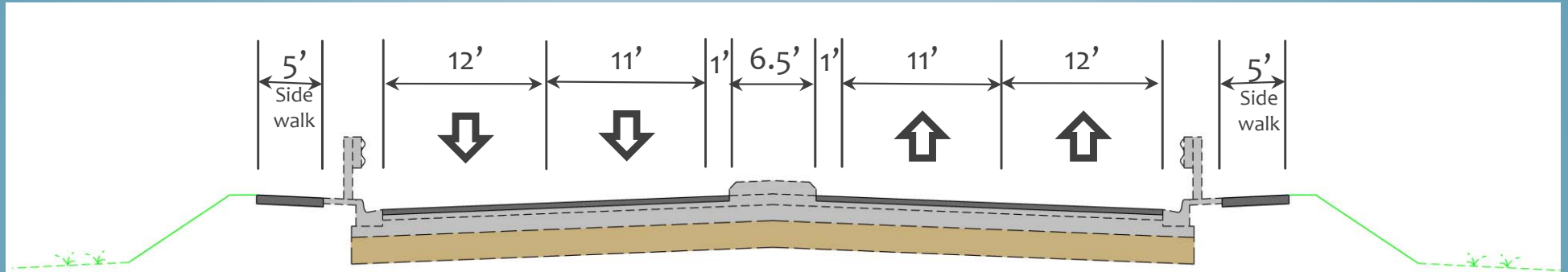


- *Movable Span Has Open Grid Deck*

# EXISTING BRIDGE TYPICAL SECTION

# SR-5 /US-1 Jupiter Federal Highway Bridge

FM No. 428400-1-52-01

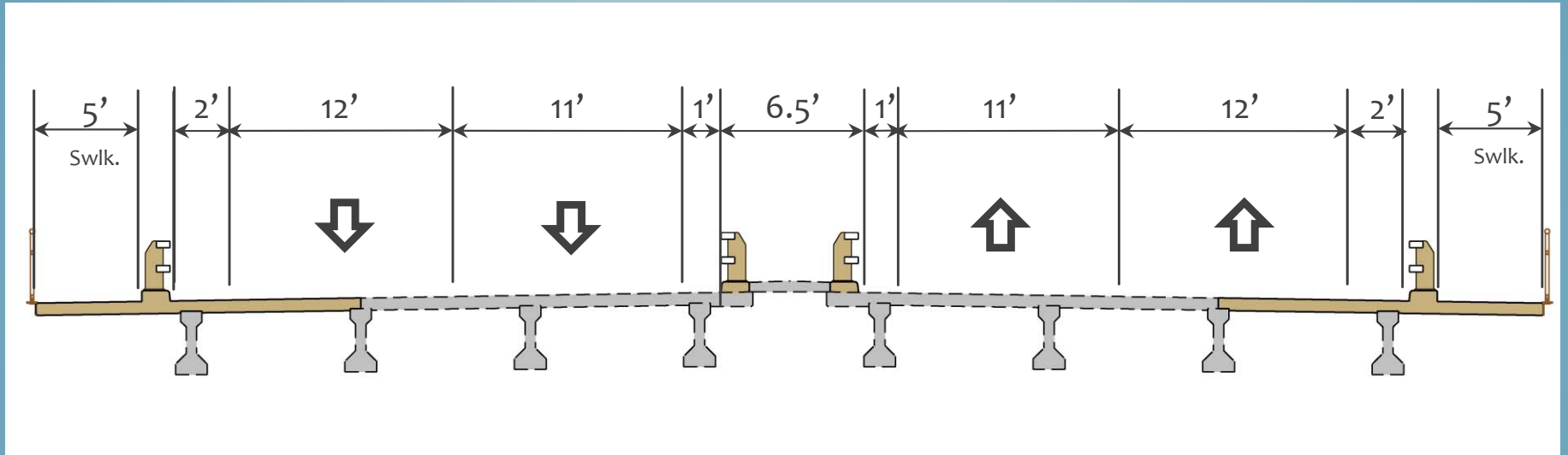


- 5-foot Sidewalks
- Roadway Resurfacing and Restriping

## ORIGINAL ROADWAY TYPICAL SECTION

# SR-5 /US-1 Jupiter Federal Highway Bridge

FM No. 428400-1-52-01

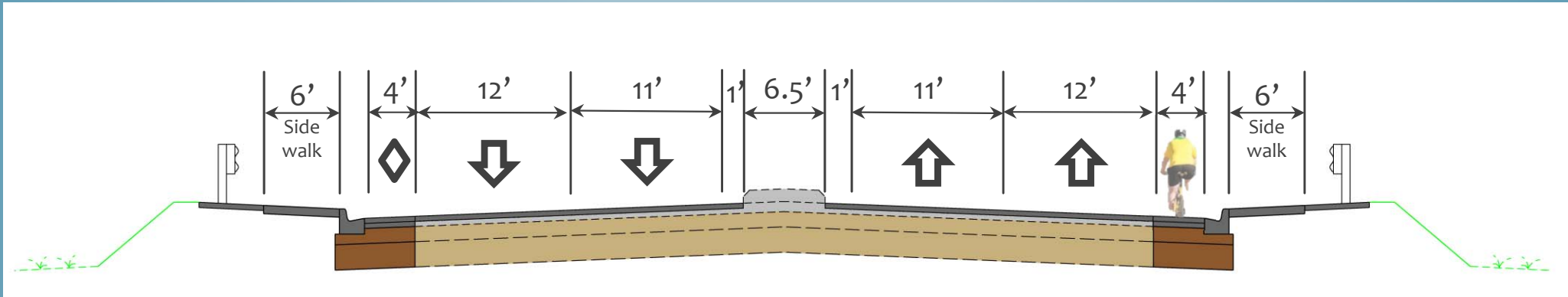


- 5-foot Sidewalks
- Median Traffic Barriers Introduced
- No Foundation Work Required

## ORIGINAL BRIDGE TYPICAL SECTION

# SR-5 /US-1 Jupiter Federal Highway Bridge

FM No. 428400-1-52-01

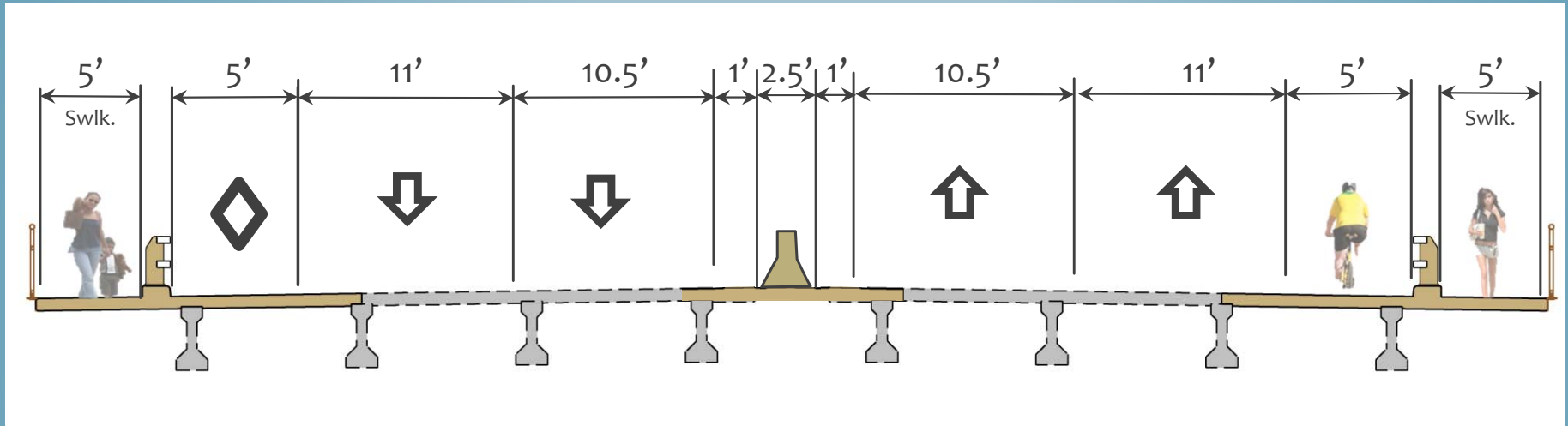


- 4-foot Designated Bike Lane
- Requires Pavement Widening and Curb & Gutter Reconstruction
- Requires Guardrail Relocation
- Requires MPO Funding

## PROPOSED ROADWAY TYPICAL SECTION

# SR-5 /US-1 Jupiter Federal Highway Bridge

FM No. 428400-1-52-01



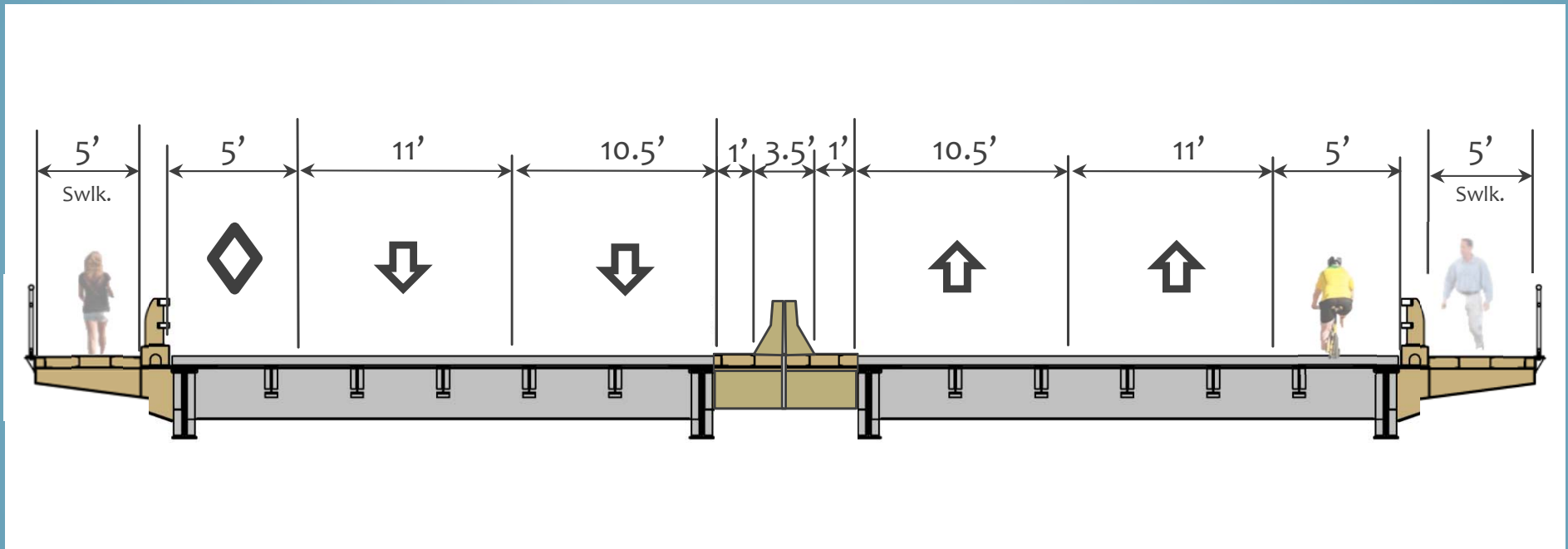
- 5' Designated Bike Lanes
- Crash Tested Barrier Between Vehicles and Pedestrians
- Median Traffic Barriers Introduced
- Requires Minor Foundation Work

## PROPOSED FIXED BRIDGE TYPICAL SECTION



# SR-5 /US-1 Jupiter Federal Highway Bridge

FM No. 428400-1-52-01



- 5' Designated Bike Lanes
- Crash Tested Barrier Between Vehicles and Pedestrians
- Skid Resistant Surface on Bike Lanes

## PROPOSED BASCULE BRIDGE TYPICAL SECTION

# SR-5 /US-1 Jupiter Federal Highway Bridge

FM No. 428400-1-52-01

	BRIDGE REHABILITATION WITH 5' SIDEWALK ADDITION (ORIGINAL SCOPE)	BRIDGE REHABILITATION WITH 5' SIDEWALK ADDITION AND DESIGNATED BIKE LANES
CONSTRUCTION	\$17,900,000	\$19,300,000
PLANNING/DESIGN/PERMITTING	\$900,000	\$1,200,000
CONSTRUCTION MANAGEMENT	\$900,000	\$1,200,000
TOTAL COST	\$19,700,000	\$21,700,000

- *Estimated additional \$2 million required from the MPO*

## COST ESTIMATES COMPARISON

# PRESENTATION TO THE PALM BEACH COUNTY MPO

MAY 15, 2014

*SR-5 /US-1 Jupiter Federal Highway Bridge*

*FM No. 428400-1-52-01*